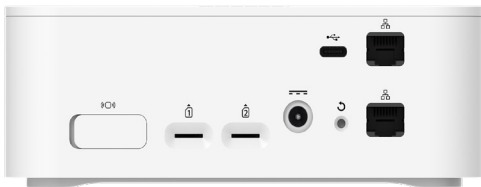




Inseego Wavemaker™ 5G indoor router FX3100 series Compact and versatile wireless connectivity

About Inseego

As a U.S.-based company, we design and develop the critical IP of our products in the USA and hold them to the highest security standards. Our products and solutions are trusted by top tier carriers, government entities, and Fortune 500 enterprise customers.



Boundless performance

High-performance chipset and antenna design provides gigabit-class¹ wireless broadband internet capabilities.

Superior connectivity

Dual-band Wi-Fi 6 supports up to 64 connected devices, two Ethernet WAN/LAN ports and a USB-C port for data and tethering.

Compact and stylish design

Purposefully designed to minimize the visual footprint and blend seamlessly into any room design.

Safe and secure

Advanced security, encryption, and VPN support to ensure protection of sensitive personal data.

Mobile app management

The Inseego Mobile™ app provides step-by-step installation instructions to achieve the best performance and allows for remote monitoring and management.



FX3100 series product specifications

Network connectivity²

- 5G NR with SA/NSA
- 5G sub-6 GHz
- 4G LTE Cat 19
- 4x4 MIMO sub-6 GHz
- 256 QAM sub-6 GHz
- CBRS

Wi-Fi

- 802.11 a/b/g/n/ac/ax
- Wi-Fi 6 with 2x2 MU-MIMO
- Simultaneous dual-band Wi-Fi
- Multiple SSID/guest Wi-Fi support
- Connects up to 64 Wi-Fi enabled devices

Chipset

- Qualcomm® Snapdragon™ SDX62

Ports

- 1x power
- 2x WAN/LAN 1 Gbps
- 1x USB 3.1 Type C (data and tethering)
- 1x external antenna (2 TS-9)

Location services

- GNSS: GPS (standalone and assisted)/
GLONASS/Galileo/Beidou

SIM

- Dual SIM, (2) 4FF Nano SIM slots

Dimensions & weight

- 6.3" x 3" x 2" (160 mm x 76 mm x 52 mm)
- 12 oz (350 g)

Operating temperature

- 32°F to 104°F (0°C to 40°C)

Security

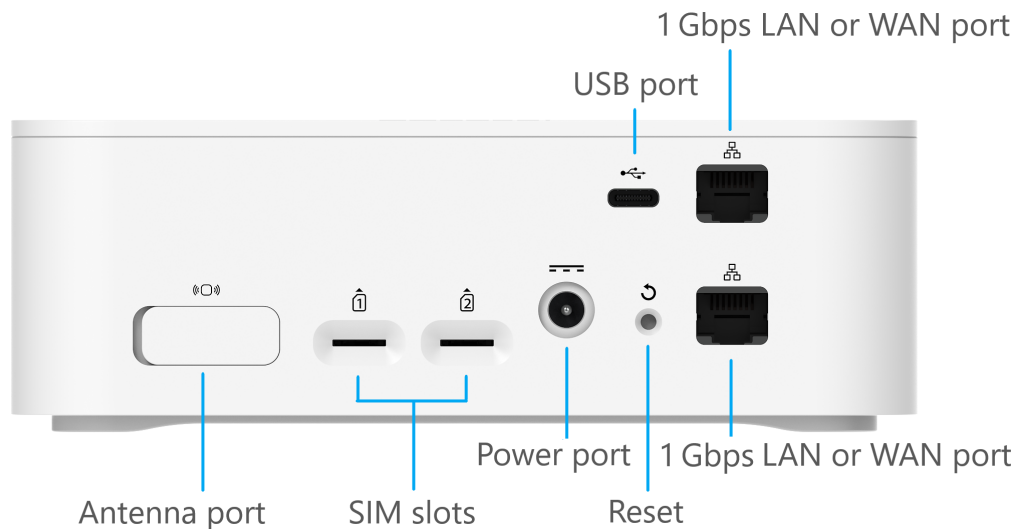
- Secure boot
- Admin security
 - AES 256 encryption
 - Security hardened web interface
 - Password hash
 - Session timeout
 - Wi-Fi on/off control
 - Incorrect password lockout
- Encrypted configuration backup/restore
- Advanced firewall
- Wi-Fi security
 - Wi-Fi security (WPA/WPA2/WPA3)
 - Wi-Fi privacy separation
- Anti CSRF (OWASP)
- OpenVPN
- Static IP

Networking

- Configurable DNS
- MAC address filtering
- NAT firewall
- Port forwarding
- Port filtering
- IPSec VPN
- Auto and custom APN
- OOB management
- Network selection and band lock support
- Automatic WAN switching
- Inseego Connect™/Inseego 5G SD EDGE™
- Cloud API support through Inseego Connect Advanced and Inseego 5G SD EDGE

FX3100 series product specifications by SKU

SKU	Approvals	Bands
649496 02715 5	North America Inseego Ignite ³ - AT&T - T-Mobile - Verizon	5G sub-6: n2, n5, n7, n12, n25, n30, n41, n48, n66, n71, n77 LTE: B2, B4, B5, B7, B12, B13, B17, B25, B29, B30, B41, B46, B48, B66, B71
649496 02723 0	T-Mobile®	5G sub-6: n2, n5, n7, n12, n25, n26, n38, n41, n48, n66, n71, n77 LTE: B2, B4, B5, B7, B12, B13, B25, B26, B38, B41, B48, B66, B71
649496 02720 9	UScellular	5G sub-6: n2, n5, n7, n12, n25, n26, n38, n41, n48, n66, n71, n77 LTE: B2, B4, B5, B7, B12, B13, B25, B26, B38, B41, B48, B66, B71



For more information: sales@inseego.com
Visit us our website: inseego.com

Specifications are subject to change. Please see your Inseego contact for more details. ©2024 Inseego Corp. All rights reserved. Designed in sunny San Diego, Ca. Manufactured in Taiwan. Qualcomm Snapdragon is a product of Qualcomm Technologies, Inc. and/or its subsidiaries. Qualcomm and Snapdragon are trademarks of Qualcomm Incorporated, registered in the United States and other countries. Other Company, product or service names mentioned herein are the trademarks of their respective owners.

¹Theoretical values, speeds achieved by connected devices vary based on network coverage, Wi-Fi connection and device capability.

²Data plan required. Coverage subject to network availability.

³Go to <https://inseego.com/company/partners/>.

